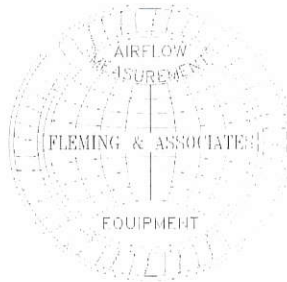


Fleming & Associates Calibration, Inc.

1060 North Capitol Avenue, Suite E-100
Indianapolis, Indiana 46204
USA



CERTIFICATE OF CORRELATION T53 EFA Fixtures

Cadorath Aerospace Lafayette LLC
Broussard, LA
USA

AF36 Airflow Measurement System Serial Number: 123

EFA FIXTURE/MODEL	MASTER PART NUMBER	MASTER SERIAL NUMBER
LTCT11539-01 T53 1 ST STG GP	1-110-710-06	T53-1GP-CA1
LTCT11540-01 T53 2 ND STG GP	1-120-050-03	T53-2GP-CA2
LTCT11546-01 T53 1 ST STG PT	1-190-000-09	T53-1PT-CA3
LTCT11547-01 T53 2 ND STG PT	1-140-470R12	T53-1PT-CA4

Tested By:

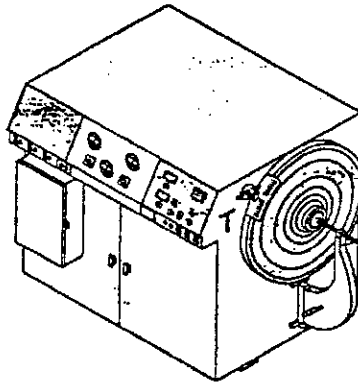
Ronald J. Fleming

Date: 1 February 2018

Date of On-Site Correlation Installation: 1 February 2018

Re Testing Recommended: 1 February 2020

Fleming & Associates Calibration, Inc.
1060 North Capital Ave., Suite E-100
Indianapolis, IN 46204
USA



CERTIFICATE OF TRAINING

This Certificate acknowledges that

Donald Francis
Of

Cadorath Aerospace
Broussard, LA

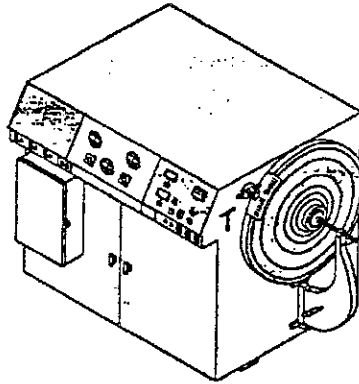
has successfully completed training on the operation and maintenance of the
AF36 Air Flow Measurement System S/N 123 on the **1st** day of **February 2018**.

Instructor:



Ronald J. Fleming

Fleming & Associates Calibration, Inc.
1060 North Capital Ave., Suite E-100
Indianapolis, IN 46204
USA



CERTIFICATE OF TRAINING

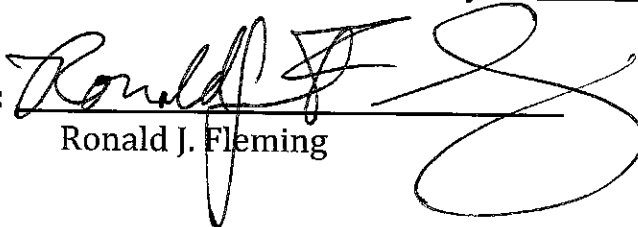
This Certificate acknowledges that

Derek Taylor
Of

Cadorath Aerospace
Broussard, LA

has successfully completed training on the operation and maintenance of the
AF36 Air Flow Measurement System S/N 123 on the **1st** day of **February 2018**.

Instructor:


Ronald J. Fleming